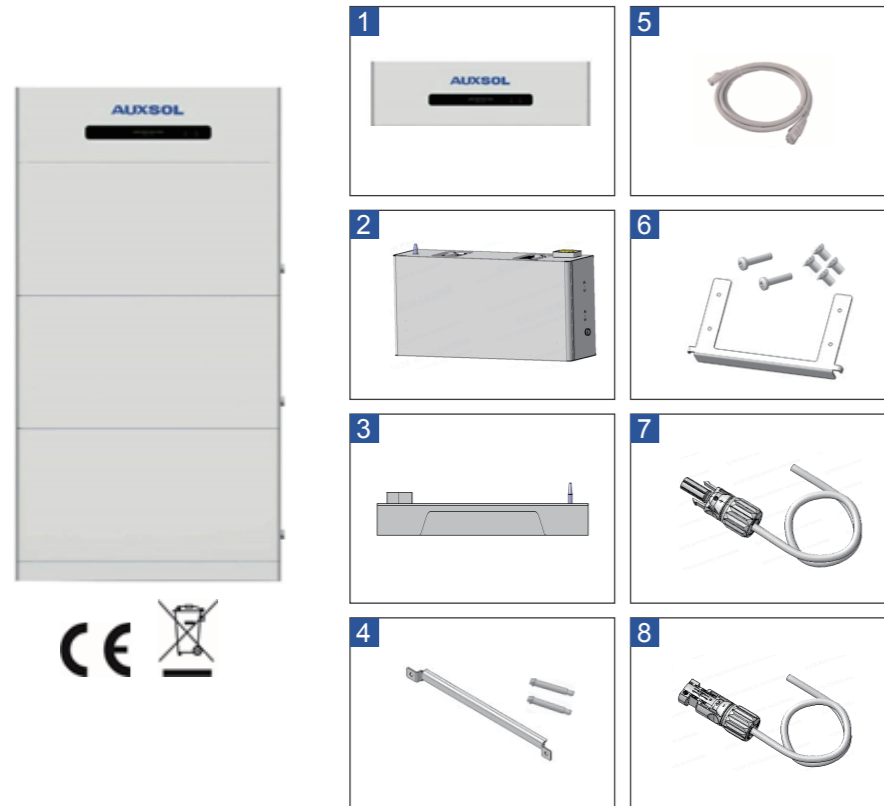


Quick Installtion Guide

Carefully read this guide before install the battery pack.
Read and save these guide.

1. INSTRUCTIONS FOR USER



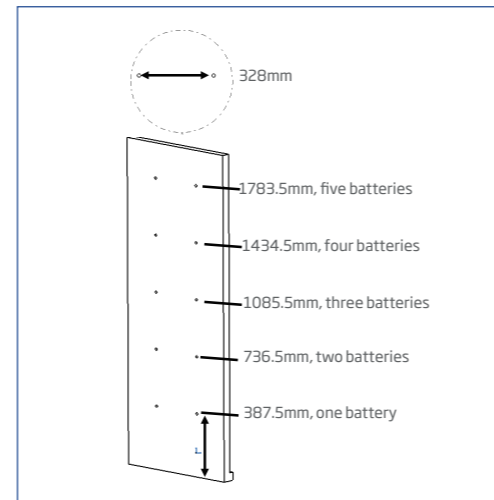
No.	Description	Model	Unit	QTY
1	BDU		pcs	1
2	Battery Pack		pcs	1
3	Base		pcs	1
4	Wall Mount Tie Rods		pcs	1
5	Ethernet Cable(3m)		pcs	1
6	Anti-tilting Bracket		pcs	1
7	High Voltage Connector(HV+)		pcs	1
8	High Voltage Connector(HV-)		pcs	1

* The number of PV terminals allocated corresponds to the number of specific inverter terminals.

2. Battery system assembly

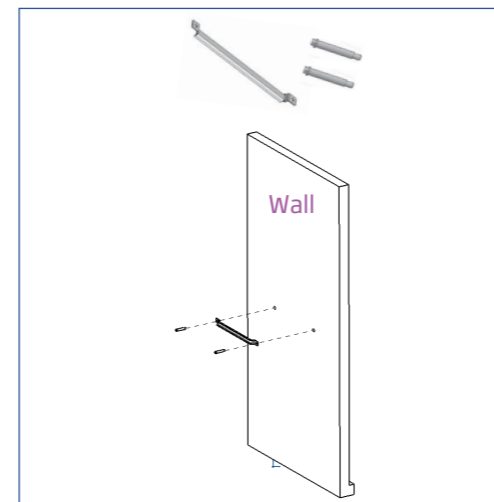
2.1 Drill two holes with a $\Phi 10$ drill bit.

- 1 Depth: at least 40mm
- 2 Width: 328mm
- 3 Height: based on the number of batteries



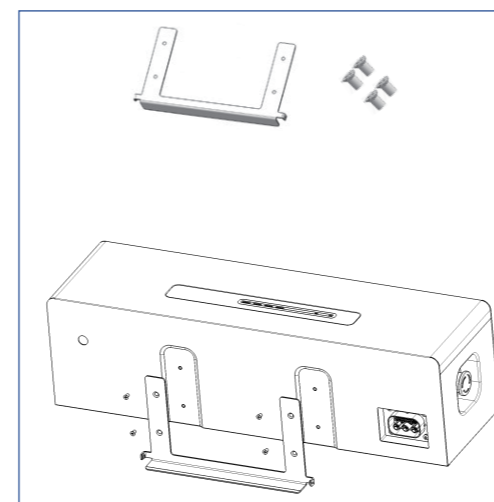
2.2 Wall bracket assembly.

- 1 Hammer the expansion tubes into the holes
- 2 Screw the expansion bolts



2.3 BDU bracket assembly.

- 1 Assemble the bracket to the BDU
- 2 Screw the four M5 bolts



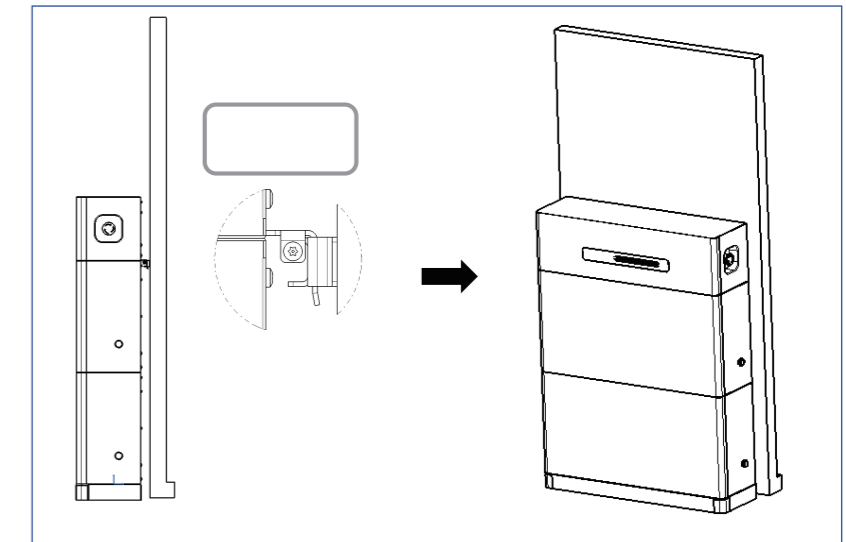
2.4 Battery system assembly.

- 1 Put the battery base on the ground
- 2 Assemble the batteries
- 3 Assemble the BDU to the top battery



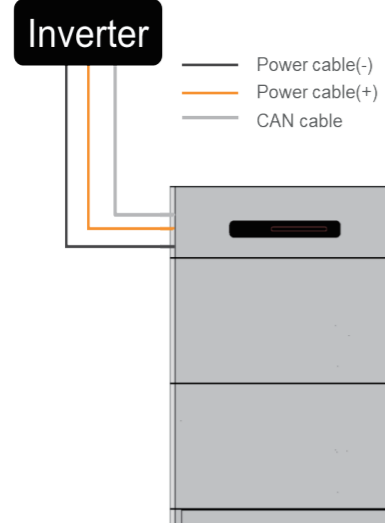
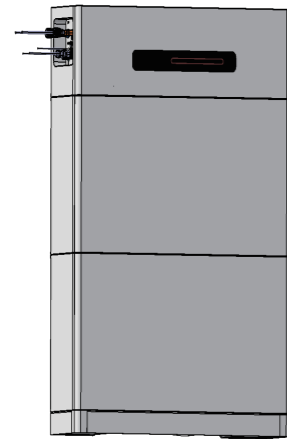
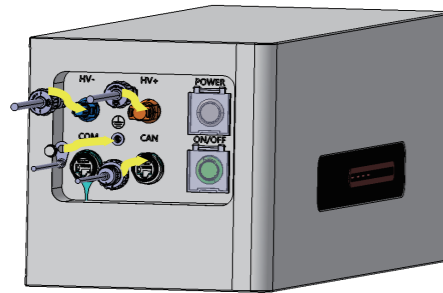
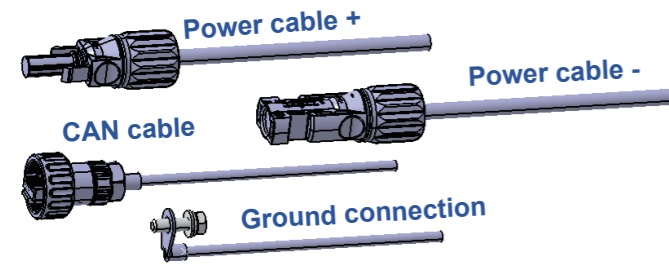
2.5 Screw the fixation bolts.

- 1 Screw the two M4*20 bolts to fix the system



3. Wiring harness assembly

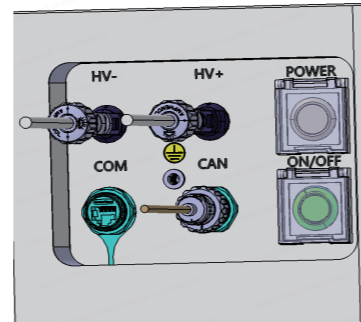
Connect the CAN cable and power cable to the inverter.



4. Battery system startup and shutdown procedure

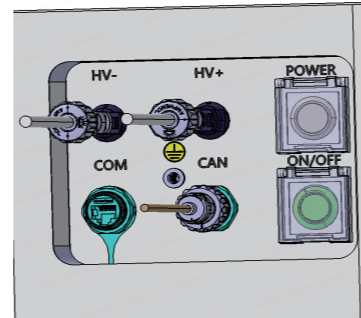
4.1 Battery system startup

- 1 Press the POWER button and the indicator lights up
- 2 Long press the ON/OFF button for more than 3s
- 3 LED indicator shows the system is on running
- 4 System startup is completed



4.2 Battery system shutdown

- 1 Long press the ON/OFF button for more than 3s
- 2 Press the POWER button and the indicator light will go out
- 3 All LED indicator lights are off.
- 4 System shutdown is completed



5. Contact information

Ningbo AUX Solar Technology Co., Ltd.

No.17 Fenglin Road, Cicheng Town, Jiangbei District, Ningbo City, Zhejiang Province, China

86-574-8765-2201

www.auxsol.com

info@auxsol.com

The registered account and password can be logged in at the same time on the APP and the website, or on multiple devices. This is a quick installation manual. If you do not know the specific operation, please contact our technical support.